



Elevator Shackles

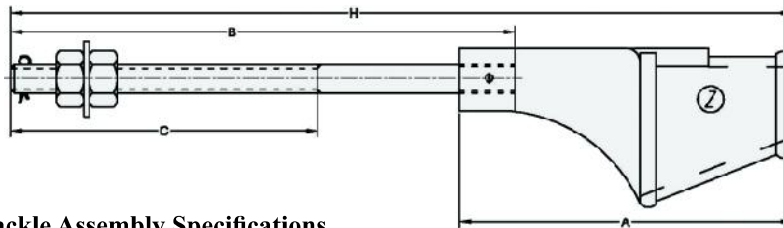
Zzipco Elevator Shackles

ZZWNS Elevator Shackles have been approved by MEA (City of New York, Building Department), the State of California, and TSSA, Canada.

All standard wedge shackles are painted with a black body color coded to match each wedge color for the highest safety standards.

Special wedge shackle assemblies are offered for governor rope applications.

All shackles come with wedge, two rope retaining clips, cotter pin, washer, and two (2) nuts as standard.



Wedge Shackle Assembly Specifications

Part No.	Size	A	B	C	Nut Size	H
ZZWNS8	1/4"-5/16" (6-8mm)	5"	12", 18", 24"	9.05"	M12	17", 23", 29"
ZZWNS10	3/8" (10mm)	6"	12", 18", 24"	9.05"	M14	17", 23", 29"
ZZWNS13	7/16"-1/2" (11-13 mm)	7.5"	12", 18", 24", 30", 36", 42"	9.05"	M20	18", 24", 30", 36", 42", 48"
ZZWNS16	9/16"-5/8" (14-16 mm)	7.5"	12", 18", 24", 30", 36", 42"	9.05"	M20	18", 24", 30", 36", 42", 48"
ZZWNS19	11/16"-3/4" (17.5-19 mm)	9"	12", 18", 24", 30", 36", 42"	9.05"	M24	19.5", 25.5", 31.5", 37.5", 43.5", 49.5"

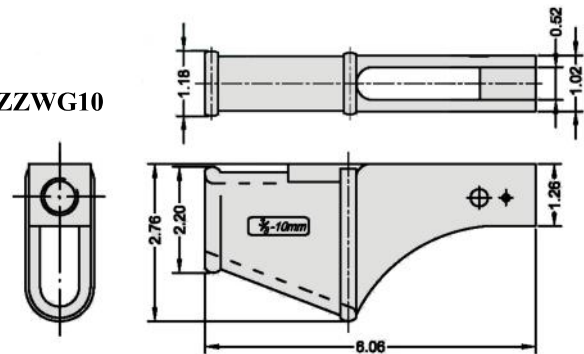
Standard Rod Lengths are listed above. Additional rod Lengths are available.

Governor Wedge Shackle Specifications

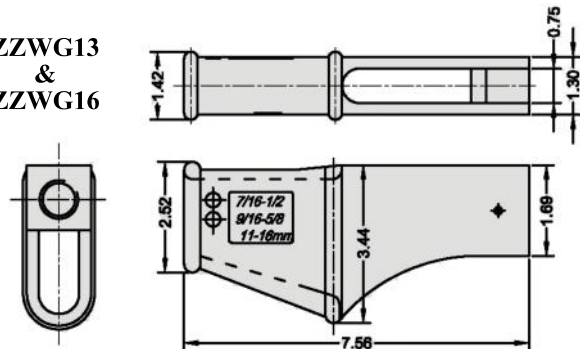
Part No.	Size
ZZWG10	3/8" (10 mm)
ZZWG13	7/16"-1/2" (11-13 mm)
ZZWG16	9/16"-5/8" (14-16 mm)

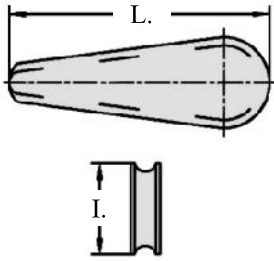


ZZWG10



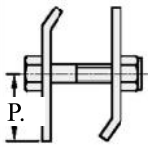
ZZWG13 & ZZWG16





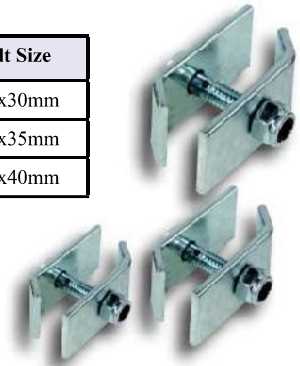
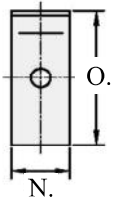
Wedge Insert Specifications

Part No.	Size	L	I	Color
ZZWW8	1/4"-5/16" (6-8mm)	3.25"	0.9"	White
ZZWW10	3/8" (10mm)	3.75"	1.3"	Red
ZZWW13	7/16"-1/2" (11-13 mm)	4"	1.6"	Blue
ZZWW16	9/16"-5/8" (14-16 mm)	4.7"	1.3"	Yellow
ZZWW19	11/16"-3/4" (17.5-19 mm)	5.5"	1.57"	Green



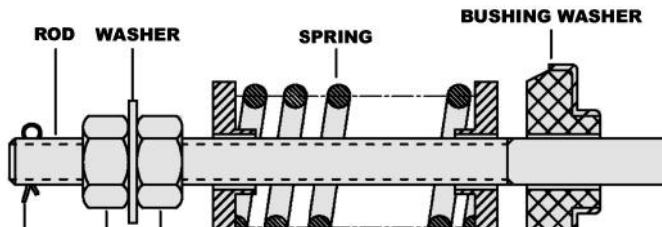
Retaining Clip Specifications

Part No.	Size	N	O	P	Nut Size	Bolt Size
ZZWRC810	1/4"-3/8" (6-10 mm)	1"	1.58"	0.7"	M6	M6x30mm
ZZWRC1316	7/16"-5/8" (11-16 mm)	1"	1.84"	0.94"	M6	M6x35mm
ZZWRC19	11/16"-3/4" (17.5-19 mm)	1"	2.14"	1.06"	M6	M6x40mm



Spring Isolation Bushing Assembly

Spring Isolation Bushing Assemblies assist in providing equal tensioning of all wire rope. In addition, metal parts are isolated to provide noiseless operation between the sockets, spring, and hitch plate.



Spring Isolation Bushing Assembly

Part No.	Size
ZZWS10	3/8" (10 mm)
ZZWS13	7/16"-1/2" (11-13 mm)
ZZWS16	9/16"-5/8" (14-16 mm)
ZZWS19	11/16"-3/4" (17.5-19 mm)