

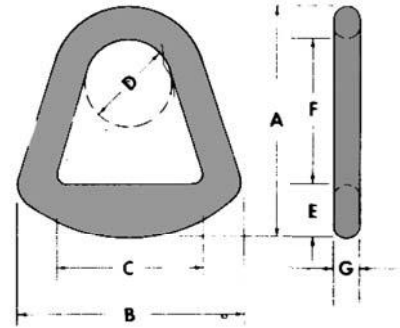


Web Sling Hardware

Aluminum Triangles & Chokers

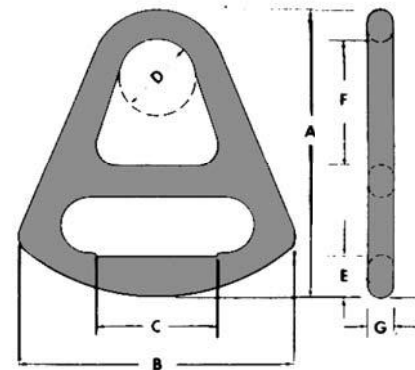
Aluminum Triangle Fitting Specifications

Size	A	B	C	D	E	F	G	Approx Wt. (lbs)	Max Rec. Safe Load	Min. Break
AT2	4	3-5/8	2-1/4	1-3/4	15/16	2-3/8	9/16	.75	3,360	16,800
AT3	5-1/4	5	3-1/4	2	1-1/8	3-5/16	5/8	1.2	5,000	25,000
AT4	6-1/4	6-5/8	4-3/8	2-3/8	1-7/16	4	11/16	1.8	6,700	33,500
AT6	8-15/16	8-7/8	6-3/8	3-1/8	1-3/4	5-1/2	15/16	5.1	9,700	48,500



Aluminum Choker Fitting Specifications

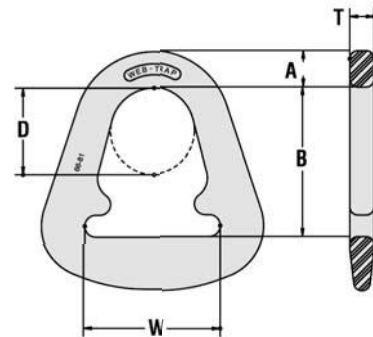
Size	A	B	C	D	E	F	G	Approx Wt. (lbs)	Max Rec. Safe Load	Min. Break
AC2	6-1/8	5-1/4	2-1/8	1-3/4	15/16	2-3/8	9/16	.75	3,360	16,800
AC3	7-1/8	7-1/2	3-1/8	2	1-1/8	3-5/16	5/8	1.2	5,000	25,000
AC4	8-3/4	8-3/4	4-1/8	2-3/8	1-7/16	4	11/16	1.8	6,700	33,500
AC6	11-5/16	11-3/4	6-1/8	3-1/8	1-3/4	5-1/2	15/16	5.1	9,700	48,500



Steel Triangles & Chokers

Steel Triangle Fitting Specifications

Part No.	Rated Capacity (lbs)	Dimensions (in.)					Weight (lbs.)
		A	B	D	T	W	
ST2	8,000	11/16	2-3/8	1-3/4	9/16	2	1
ST3	8,600	13/16	3-7/16	2	9/16	3	2
ST4	11,500	15/16	4	2-3/8	9/16	4	2.6
ST6	16,800	1-1/16	5-9/16	3-1/8	3/4	6	6.3
ST8	22,400	1-7/16	6-1/2	4	3/4	8	10.2
ST10	28,000	1-1/2	8-1/4	5	1	10	17
ST12	33,600	1-3/4	8-3/4	5-1/2	1	12	24



Steel Choker Fitting Specifications

Part No.	Rated Capacity (lbs)	A	B	C	D	T	W	Weight (lbs.)
SC3	8,600	13/16	3-1/4	6-3/16	2	9/16	3	3.6
SC4	11,500	15/16	3-3/4	6-15/16	2-3/8	9/16	4	5.1
SC6	16,800	1-1/16	4-3/4	8-7/8	3-1/8	3/4	6	12
SC8	22,400	1-7/16	5-5/8	10	4	3/4	8	25
SC10	28,000	1-1/2	7	11-13/16	5	1	10	38
SC12	33,600	1-3/4	7-3/4	12-13/16	5-1/2	1	12	54

