



Sling Saver® Connector

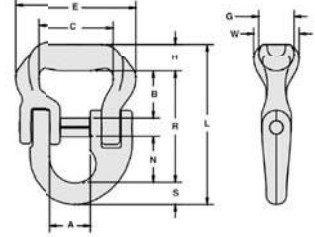
High Performance Sling Connector is designed to connect High-Performance Synthetic Slings of all materials.

S-237 Sling Connector



Available Capabilities

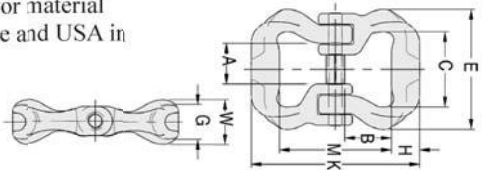
- Working Load Limit (5 to 1): 10,000 through 60,000 lbs
- Sling Body Widths: 3" through 6"
- Allows easy connection to master links or eye hooks, and is ideal for bridles
- Increased radius of bow gives wider sling bearing surface resulting in an increased area for load distribution, thus, increasing Synthetic Sling efficiency as compared to master links, shackle bows and conventional eye hooks. This allows 100% of the sling's rated Working Load Limit to be achieved



S238 Sling Connector



- Individually Proof Tested at 2.5 times the Working Load Limit
- Each connector has a Product Identification Code (PIC) for material traceability, along with a frame size, and the Crosby name and USA in raised letters
- Allows better load distribution on internal fibers
- All Alloy Construction
- Design Factor of 5 to 1



S-237 High Performance Sling Connector

Working Load Limit		S-237 Web to Lok-A-Loy Assy. Stock No.	Frame No.	Nominal Sling Body Width (in.)	Lok-A-Loy Size	Weight Each (lbs.)	Dimensions (in.)										S-238 Web to Web Assy. Stock No.	
4:1 (lbs.)*	5:1 (lbs.)						A	B	C	E	G	H	L	N	R	S		W
12500	10000	1020704	10	3"	5/8"	3.0	1.38	1.52	2.75	4.13	1.25	.98	5.68	1.71	3.95	.75	1.75	1020423
18750	15000	1020713	15	3"	3/4"	4.8	1.59	1.58	2.75	4.37	1.38	1.10	6.45	2.03	4.46	.93	1.88	1020432
31250	25000	1020722	25	4"	7/8"	8.6	1.97	2.33	3.75	6.00	1.75	1.40	7.97	2.26	5.51	1.06	2.25	1020441
37500	30000	1020731	30	4"	7/8"	8.6	1.97	2.20	3.75	6.19	1.75	1.40	7.84	2.26	5.38	1.06	2.36	1020450
50000	40000	1020740	40	5"	1"	14.6	2.22	2.91	4.75	7.07	2.25	1.78	9.45	2.44	6.45	1.22	3.09	1020469
75000	60000	1020759	60	6"	1-1/4"	26.0	2.53	3.37	5.75	9.13	2.31	1.86	11.09	3.07	7.73	1.50	3.16	1020478

*Maximum Proof Load is 2 times the Working Load Limit at 4:1 design factor. Minimum Ultimate strength is 5 times the Working Load Limit.

S238 High Performance Sling Connector

Working Load Limit (lbs.)	S-238 Web to Web Assy. Stock No.	Frame No.	Nominal Sling Body Width (in.)	Lok-A-Loy Size	Weight Each (lbs.)	Dimensions (in.)								
						A	B	C	E	G	H	K	M	W
5000	1020415	5	2	3/8"	1.6	.88	1.42	2.00	3.18	1.00	.80	4.90	3.30	1.38
10000	1020423	10	3"	5/8"	3.3	1.42	1.52	2.75	4.13	1.25	.98	5.72	3.76	1.75
15000	1020432	15	3"	3/4"	4.9	1.63	1.58	2.75	4.37	1.38	1.10	6.16	3.96	1.88
25000	1020441	25	4"	7/8"	10.1	2.00	2.33	3.75	6.00	1.75	1.41	8.40	5.58	2.25
30000	1020450	30	4"	7/8"	11.4	2.00	2.20	3.75	6.19	1.75	1.41	8.14	5.32	2.38
40000	1020469	40	5"	1"	20.7	2.25	2.91	4.75	7.25	2.25	1.78	10.48	6.92	3.09
60000	1020478	60	6"	1-1/4"	32.0	2.56	3.36	5.75	9.13	2.31	1.86	11.72	8.00	3.16

*Maximum Proof Load is 2.5 times the Working Load Limit. Minimum Ultimate strength is 5 times the Working Load Limit.

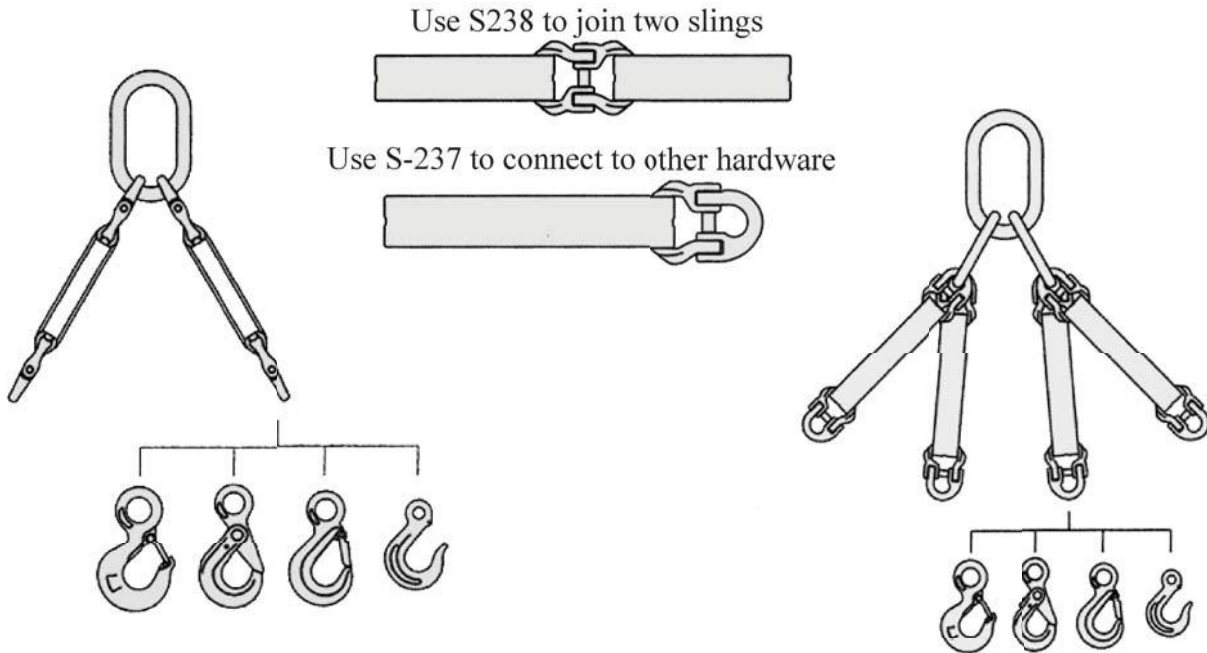
Crosby Sling Saver hardware meets the requirements for minimum stock diameter or thickness, and effective contact with shown in the Recommended Standards Specification for Synthetic Polyester Round Slings by the Web Sling & Tie Down Association, WSTDA-RS (revised 2001).

FOR MORE INFORMATION, CONTACT US AT (800) 220-2579



Typical Applications

The S-237 and S238 connectors have been designed to easily adapt to other Crosby fittings to develop complete systems for high performance Synthetic Slings.



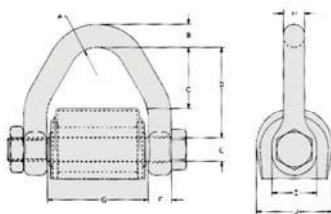
Sling Saver Web Connector

Web Connectors are designed to connect Synthetic Web Slings and Synthetic Round Slings to conventional hardware.

- Connects to Alloy Eye Hooks, Grade 8 Fittings, Master Links, Rings & Shackles
- Makes field-assembled bridles quick and easy
- No cotter pin to snag sling material
- Durable vinyl cover correctly positions the sling on the spool and protects the sling eye
- Design Factor of 5:1
- Increased radius of spool gives wider sling bearing surface resulting in increased area of load distribution - allows better load distribution of internal fibers.



S-280 Crosby® Web Connector Specifications



Round Sling Size (No.)	Web Slings*			Working Load Limit** (Tons)	S-280 Stock Number	Wt. (lbs)	Dimensions (In)									
	Web Width (In)	Eye Width (In)	Ply				A	B	C	D	E	F	G	H	I	J
1 & 2	2	2	2	3-1/4	1021681	1.5	.75	.62	1.63	2.44	.63	.62	2.69	.56	1.19	2.02
3	3	1.5	2	4-1/2	1021690	1.9	.75	.69	1.10	2.01	.75	.69	2.19	.60	1.38	2.34
4	4	2	2	6-1/4	1021700	2.9	.75	.81	1.66	2.56	.88	.75	2.69	.69	1.62	2.46
5 & 6	6	3	2	8-1/2	1021709	5.1	1.0	.94	2.47	3.50	1.00	.88	3.69	.88	1.88	2.84

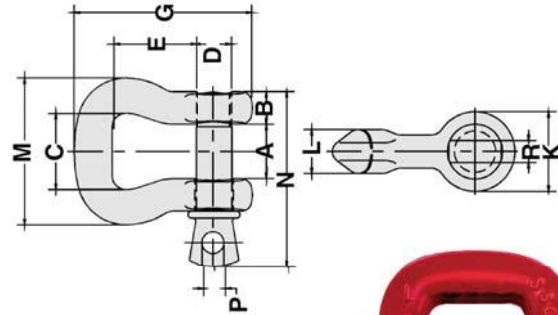
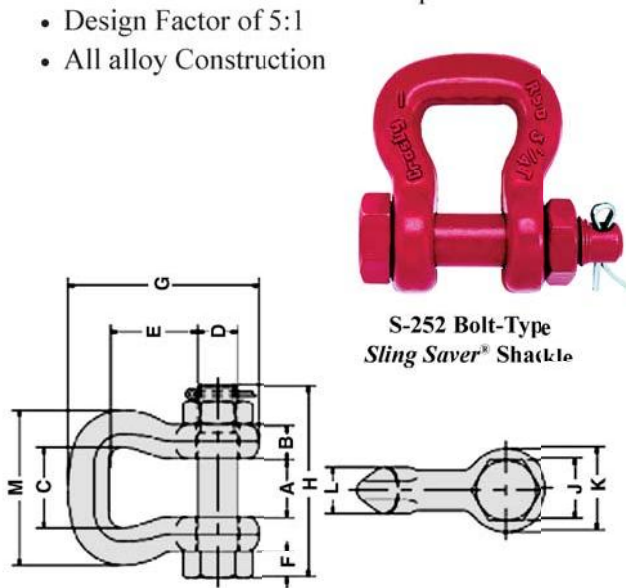
* Designed for use with Type III (Eye & Eye), Class 7, 2 Ply Web Slings. For 3" and larger webbing width, tapered eye is required
 ** Maximum Proof Load is 2-1/2 times the Working Load Limit. Minimum Ultimate Strength is 5 times the Working Load Limit.



Sling Saver® Shackles

Sling Saver® Shackles' increased radius of bow gives wider sling bearing surface resulting in increased area of load distribution allowing better load distribution of internal fibers and synthetic sling efficiency increase of at least 15%.

- Available in 3 1/4 to 50 ton capacities
- Design Factor of 5:1
- All alloy Construction



S-252 Bolt-Type Screw Pin Sling Saver® Shackle Specifications

Web Sling Eye Width (In)	Round Sling Size (No)	Work Load Limit* (Tons)	S-252 Bolt-Type		Dimensions (In)														
			PIN#	Wt (lbs)	A	B	C	D	E	F	G	H	J	K	L	M	N	P	R
1	1 & 2	3-1/4	1020485011	1.4	1.06	58	1.38	.75	1.50	.44	3.38	3.68	1.12	1.50	.75	2.69	3.22	.44	1.00
1.5	3 & 4	6-1/2	1020496	2.4	1.25	75	1.75	.88	1.88	.50	4.15	4.25	1.31	1.81	1.00	3.38	4.03	.50	1.19
2	5 & 6	8-3/4	1020507	4.1	1.38	88	2.25	1.00	2.81	.56	5.50	4.72	1.50	2.09	1.12	4.19	4.50	.50	1.44
3	7 & 8	12-1/2	1020518011	8.0	1.62	112	3.25	1.25	3.06	.75	6.34	5.88	1.88	2.62	1.38	5.62	5.59	.62	1.81
4	9 & 10	20-1/2	1020529011	16.9	2.12	138	4.50	1.50	5.25	.88	9.45	7.19	2.25	3.12	1.75	7.50	6.88	.75	2.13
5	11 & 12	35	1020540	35.0	2.50	175	5.50	2.00	6.34	1.12	11.50	9.31	3.00	4.19	2.25	9.19	8.66	1.00	2.88
6	13	50	1020551	57.5	3.00	212	6.50	2.25	7.70	1.25	13.75	10.38	3.38	4.75	2.75	11.00	10.22	1.22	3.19

* Maximum Proof Load is 2-1/2 times the Working Load Limit. Minimum Ultimate Strength is 5 times the Working Load Limit.

S-253 Screw Pin Sling Saver® Shackle Specifications

Web Sling Eye Width (In)	Round Sling Size (No)	Work Load Limit* (Tons)	S-253 Screw Pin		Dimensions (In)														
			PIN#	Wt (lbs)	A	B	C	D	E	F	G	H	J	K	L	M	N	P	R
1	1 & 2	3-1/4	1020575011	1.4	.88	62	1.38	.75	1.50	.44	3.38	3.68	1.12	1.50	.75	2.69	3.22	.44	1.00
1.5	3 & 4	6-1/2	1020584	2.2	1.25	75	1.75	.88	1.88	.50	4.15	4.25	1.31	1.81	1.00	3.38	4.03	.50	1.19
2	5 & 6	8-3/4	1020593	3.8	1.38	88	2.25	1.00	2.81	.56	5.50	4.72	1.50	2.09	1.12	4.19	4.50	.50	1.44
3	7 & 8	12-1/2	1020602	7.3	1.62	112	3.25	1.25	3.06	.75	6.34	5.88	1.88	2.62	1.38	5.62	5.59	.62	1.81
4	9 & 10	20-1/2	1020611	15.2	2.12	138	4.50	1.50	5.25	.88	9.45	7.19	2.25	3.12	1.75	7.50	6.88	.75	2.13
5	11 & 12	35	1020620	30.8	2.50	175	5.50	2.00	6.34	1.12	11.50	9.31	3.00	4.19	2.25	9.19	8.66	1.00	2.88
6	13	50	1020629	52.0	3.00	212	6.50	2.25	7.70	1.25	13.75	10.38	3.38	4.75	2.75	11.00	10.22	1.22	3.19

* Maximum Proof Load is 2-1/2 times the Working Load Limit. Minimum Ultimate Strength is 5 times the Working Load Limit.