

Specialty Lifters



C-Hook Pipe Lifter

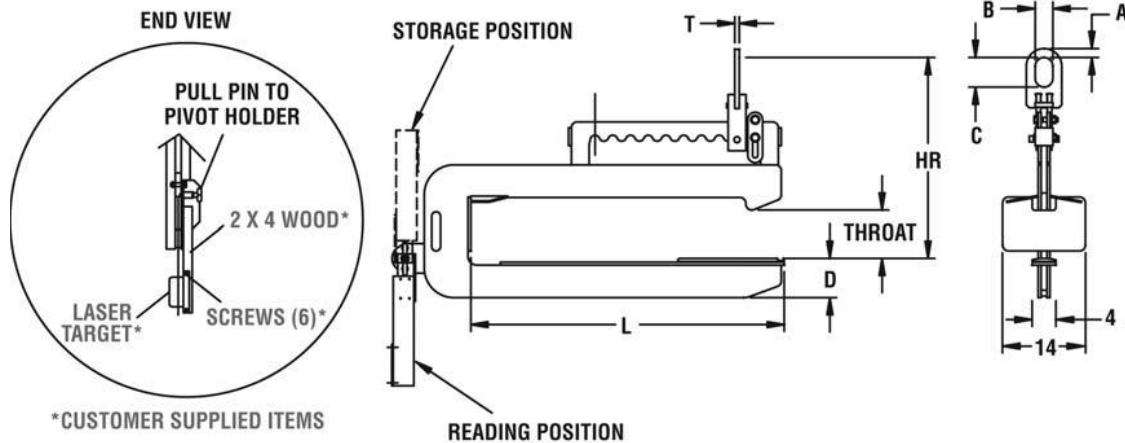


PRODUCT FEATURES:

- Stand-up leveling ball adjusts for varying pipe length
- Adjustable bail stop makes repetitive lifts easy to handle
- Pipe stop helps drive the pipe into position
- Built-in laser target holder allows operator to set & laser position at the same time
- Position handle
- Complies with ASME Standards

Dimension (in.)											
Model	Min Pipe ID (in.)	Throat	Arm D	Arm Length L	Headroom HR	Bail Dimensions				Capacity (lbs)	Weight (lbs)
						A	B	C	T		
CPL-1.5	8"	8	6.62	53	33.8	1.5	3	5	0.75	3,000	300
CPL-3	10"	8	6.87	53	35.63	1.5	3	5	1	6,000	500
CPL-4.5	10"	8	7.44	54	37.31	2	4	7	1.25	9,000	700
CPL-6	12"	8.5	8.38	54.5	39.25	2	4	7	1.25	12,000	750
CPL-9	12"	10	8.25	55	41.63	2	4	7	1.25	18,000	1,100
CPL-15	14"	12	10.75	58	48.12	2.5	4	7	1.5	30,000	1,550

Note: For Bell & Spigot pipe only, other pipe designs consult the factory.

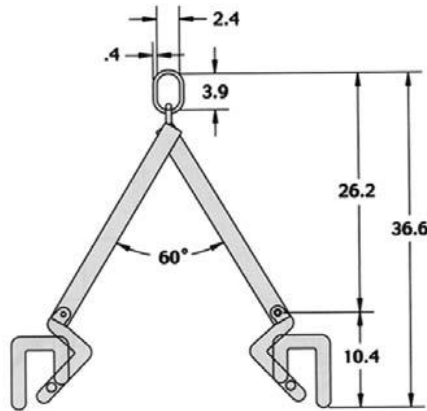


OPERATION





Manhole Sleeve Lifter



PRODUCT FEATURES:

- Quick and efficient way to place cast manhole sleeves
- Easily attaches to and releases from the load
- 2 and 3 leg models available
- Complies with ASME Standards

Specifications

Model Number	Description	Capacity (lbs)	Weight (lbs)
MCL-1/2	2-Leg Version	1,000	30
MCL-3/4	2-18" Legs, 1-30" Leg with Shortener	1,500	25
MCL-C	Clamps Only	500	6

Concrete Housing Lifter

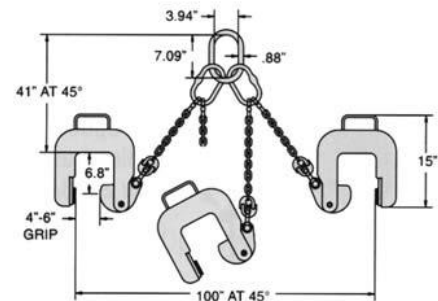
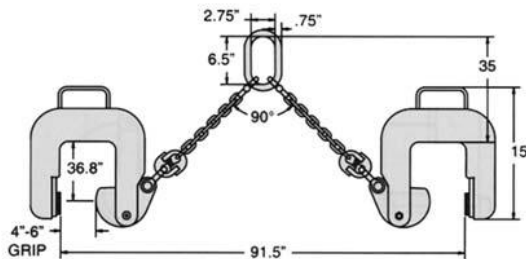
PRODUCT FEATURES:

- Handle concrete pipe efficiently without damage to concrete seat
- Legs can be quickly positioned to safely balance the load
- Handles 4" - 6" concrete wall thickness
- Requires constant tension to maintain positive load contact
- Complies with ASME Standards



Model Number	Description	Capacity (lbs)	Weight (lbs)
MHL-5 - 4/6	2-Leg Model - Two 42" Legs	10,000	95
MHL-7 1/2 - 4/6	3-Leg Model - Two 42" Legs - One 72" Leg	15,000	145
MHL-C - 4/6	Clamp Only	5,000	36

Note: Reverse cam action eliminates slippage tendency.



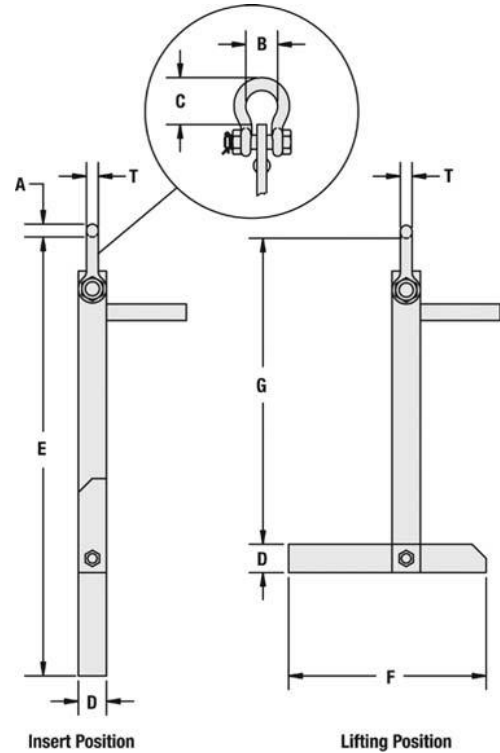
Concrete Pipe Pick™

The patented new concrete Pipe Pick™ is a quicker, safer and cleaner way of handling precast concrete pipe.



Simply insert the Pipe Pick™ into the lifting hole in the pipe-tilt-to engage the beveled edge-and lift up! You can now lift and set the pipe. Once the pipe is set, lower the Pipe Pick™, the counter weighted lift arm automatically falls straight and the Pipe Pick™ can be removed from the pipe.

- Simple and fast.
- No need to reach inside the pipe.
- Worker remains above the pipe at all times.



BELOW THE HOOK

			Dimensions (in.)								
Model	Capacity (tons)	Minimum Pipe I.D.	D	E	F	G	A	B	C	T	Weight (lbs)
CPP-1.5	1-1/2	12	1.5	23.5	10.25	16.25	.62	1.62	2.37	0.62	10
CPP-3	3	14	2	28.5	12.00	20	.75	1.93	2.93	0.75	18
CPP-5	5	16	2.75	43.75	13..5	36	1	2.75	3	1.00	38

Patent Number 5,820,186.

