

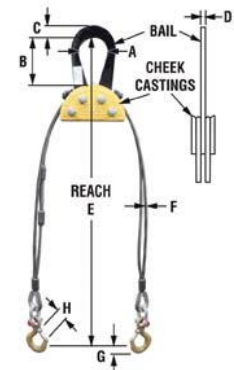


Load Positioner

Model AL-2

PRODUCT FEATURES:

- Allows crane hook to be directly over center of gravity in unbalanced or non-symmetrical two point lifts.
- Quickly adjusts to center of gravity.
- Can be locked into place for constant lifts.
- Can be used in conjunction with spreader beams.
- Ideal for use in rigging applications and machinery moving.
- Designed and manufacturer to ASME B30.20 and B30.9.



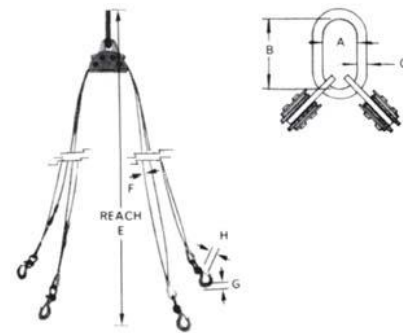
Model Number	Rated Capacity (Tons) with Legs @ 45 Degrees of Horizontal	E Standard Reach	F Rope Size	Top Assembly Dimensions				Alloy Steel Hooks			Anchor Shackle	Weight (lbs)
				A	B	C	D	Size (tons)	H (in.)	G (in.)		
52-1	1	3'-0"	5/16"D	3-1/8	5	1-1/8	5/8	1	1	3/4	3/8	7-1/2
52-2	2	4'-0"	5/16"D	3-1/8	5	1-1/8	5/8	1-1/2	1-1/16	27/32	1/2	20
52-4	4	6'-0"	7/16"D	3-1/8	5	1-1/8	5/8	3	1-1/4	1-1/8	5/8	32
52-6	6	9'-0"	9/16"D	5-1/4	8-3/8	1-3/4	13/16	4-1/2	1-3/8	1-3/8	3/4	76
52-8	8	9'-0"	5/8"D	5-1/4	8-3/8	1-3/4	7/8	7	1-7/8	1-7/8	7/8	90
52-12	12	9'-0"	3/4"D	5-5/8	8-3/4	2-3/8	1-1/16	11	2-1/4	2-1/8	1-1/8	152
52-15	15	9'-0"	7/8"D	5-5/8	8-3/4	3-3/8	1-1/16	11	2-1/4	2-1/8	1-1/4	175
52-15L	15	9'-0"	7/8"D	9	15	2-1/2	1-1/16	11	2-1/4	2-1/8	1-1/4	188
52-22	22	9'-0"	1-1/8"D	9	15	3-1/2	1-1/2	NO HOOKS FURNISHED			1-1/2	350
52-60	62	12'-0"	2"D	9	15	6-1/4	3	NO HOOKS FURNISHED			2-1/2	1200
52-75	75	15'-0"	2-1/4"D	9	15	6-1/4	4	NO HOOKS FURNISHED			3	1500

Reach calculation - approx. 70% distance between pick up points.
 * Unit must be loaded with at least 10% of rated load capacity.
 Other sizes available.

Model AL-4

PRODUCT FEATURES:

- Allows crane hook to be directly over center of gravity in unbalanced or non-symmetrical four point lifts.
- Quickly adjusts to center of gravity.
- Can be locked into place for constant lifts.
- Can be used in conjunction with box type spreader beams.
- Ideal for use in rigging applications and machinery moving.
- Designed and manufactured to ASME B30.20 and B30.9.



Model Number	Rated Capacity (Tons) th legs of 45 Degrees of Horizontal*	Standard Reach E	Rope Size F	Top Assembly Dimensions (in.)			Alloy Steel Hooks (Dimensions with Safety Latches)			Anchor Shackle	Weight (lbs)
				A	B	C	Size (tons)	H (in.)	G (in.)		
54-2	2	4'	5/16"D	3	6	5/8	1-1/2	1-1/16	27/32	1/2	18
54-4	4	6'	5/16"D	3-1/2	7	1	1-1/2	1-1/16	27/32	5/8	45
54-8	8	9'	7/16"D	3-1/2	7	1	5	1-1/2	1-3/8	5/8	70
54-12	12	9'	9/16"D	4-3/8	8-3/4	1-1/4	7	1-7/8	1-11/16	1-1/8	170
54-16	16	9'	5/8"D	5-1/2	10-1/2	1-1/2	7	1-7/8	1-11/16	1-1/8	210
54-24	24	9'	3/4"D	6	12	1-3/4	11	2-1/4	2-1/8	1-1/4	345
54-72	72	12'	1-1/2"D	9-1/2	16	2-3/4	NO HOOKS FURNISHED			2	980
54-100	100	15'	1-3/4"D	10	20	3-1/4	NO HOOKS FURNISHED			2	1180
54-150	150	20'	2-1/4"D	14	22	4-1/2	NO HOOKS FURNISHED			3	3600

Reach Calculation- approx. 70% distance between pick up points (diagonally).
 * Unit must be loaded with at least 10% of rated capacity.
 Other sizes available.